



High security door lock

Over half of all burglaries are initiated by forced entry. A majority of these are accomplished by kicking in a door. Door locks help provide extra protection from forced entry. Designed to withstand up to 800 lbs. of force, making it virtually impossible to breach from the exterior.



DESIGN FEATURES:

In the locked position, the lock is designed to resist up to 800 lbs. of force.

Prevents lock bumping or lock picking.

Cannot be opened from the outside.

Tamper resistant.

EASY INSTALLATION:

Installs in minutes. Easy to follow instructions included.



U 11442
(Brass plated)



U 10826
(Gold anodized)



U 11441
(Red bronze)



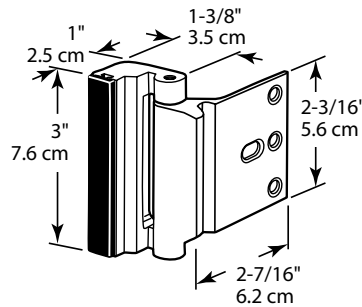
U 11325
(Brushed chrome)



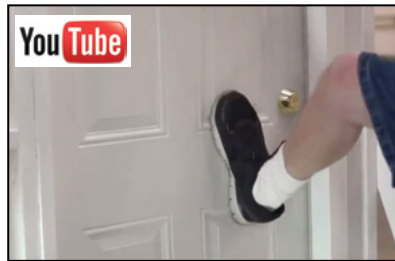
U 10827
(Satin nickel)



U 11126
(Classic bronze)



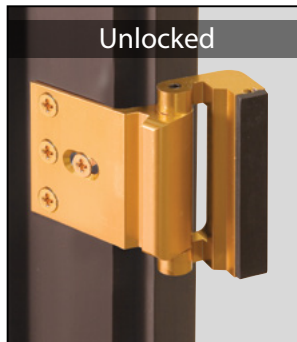
U 11449
(Matte black)



<http://tinyurl.com/HighSecurityDoorLock>



Scan here to see the customer testimonial video.



To open, pull out and flip open the door lock away from door.

PRIME-LINE®



(800) 255-3505

primeline.net