



Barn door kit

These sliding barn door kits are an ideal solution for saving space and creating a unique decorative design theme. Swinging doors can take up more room, and pocket doors can be difficult to install and maintain. Barn doors are simple to install using the mounting hardware included in this kit and the easy-to-follow instructions.



MOUNTING SPECIFICATIONS:

Side & top mount options available.

Fits on doors up to 37 in. wide and supports doors weighing up to 250 lbs.

Mounts on 16 in. centers

SMOOTH OPERATION:

Precision ball bearing roller system provides smooth operation.

WORKS WITH NEARLY ANY DOOR MATERIAL:

Can be used with doors made of wood, fiberglass, steel, other metals etc.

MOUNTING HARDWARE ONLY:

1 Top rail track (78-3/4 in.), 2 roller brackets, 5 lag bolts, 2 door stops, 1 guide, 5 spacers, 2 bumpers, and 2 anti-jump bumpers.

Pull handle and door **not** included.

SIMPLE INSTALLATION:

Complete easy-to follow instructions included.

PRIME-LINE



(800) 255-3505

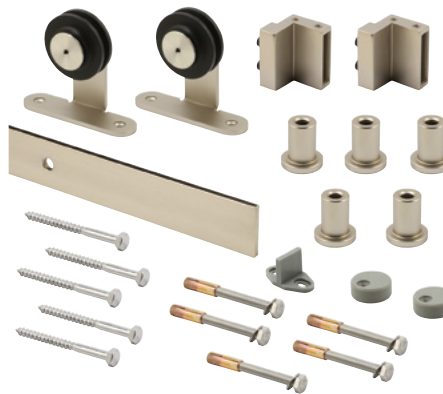
primeline.net



Top Mount



N 7555 (Black)



N 7557 (Satin Nickel)

Side Mount



N 7549 (Black)



N 7551 (Satin Nickel)

