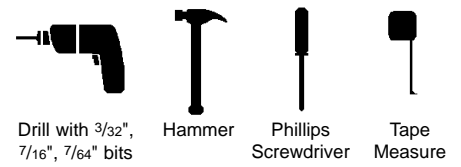




BI-FOLDING DOOR Installation Instructions

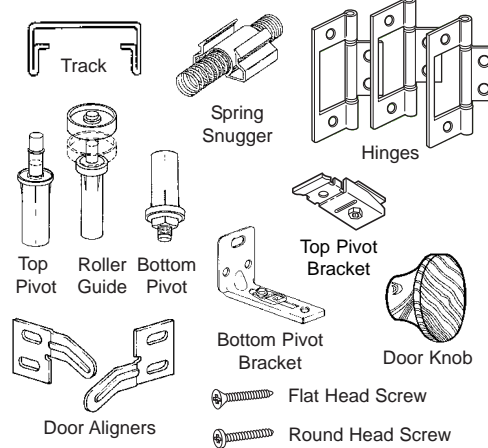
FOR DOORS WEIGHING UP TO 30 LBS. PER PANEL

TOOLS NEEDED



KIT CONTAINS:

Number of Panels		Hardware
2	4	
1	1	Track
1	2	Top Pivot Brackets
1	2	Top Pivots
1	2	Roller Guides
3	6	Non-Mortise Hinges
1	2	Bottom Pivots
1	2	Bottom Pivot Brackets
1	1	Spring Snugger
-	2	Door Aligners
1	2	Door Knobs
All	All	Necessary Fasteners

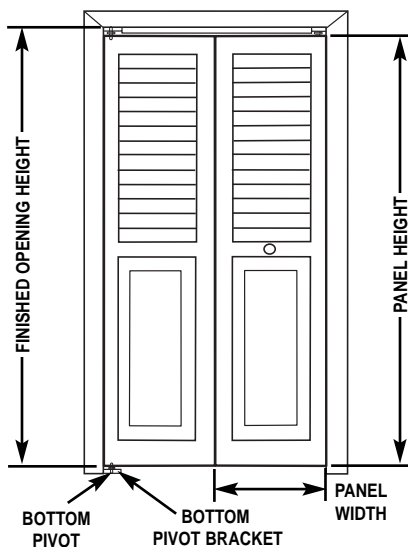
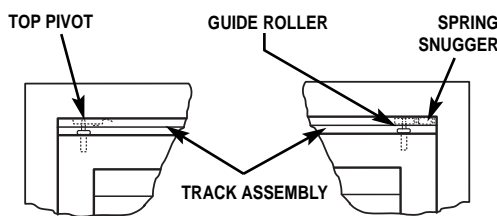


STEP 1

Prepare finished door opening per chart.

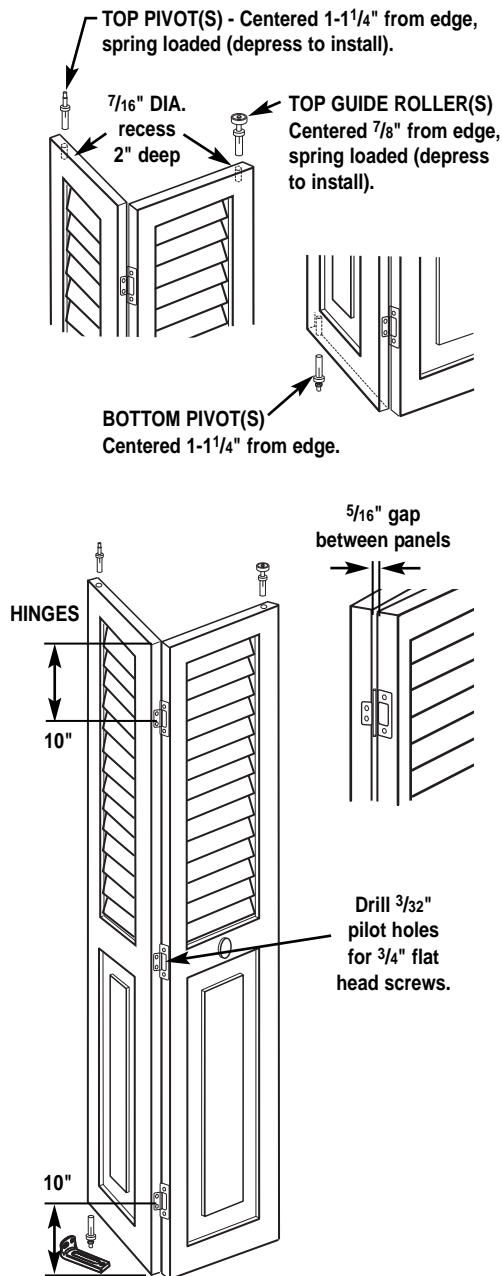
DOOR THICKNESS 1" To 1 3/8"	2-PANEL		4-PANEL		
	Finished Opening Width	36"	48"	60"	72"
Panel Width*	17 3/4"	11 3/4"	14 3/4"	17 3/4"	23 3/4"
Panel Height	Door opening minus 1 5/8", minus carpet thickness.				

* Divide net opening width by the number of door panels (2 or 4) and subtract 1/4".



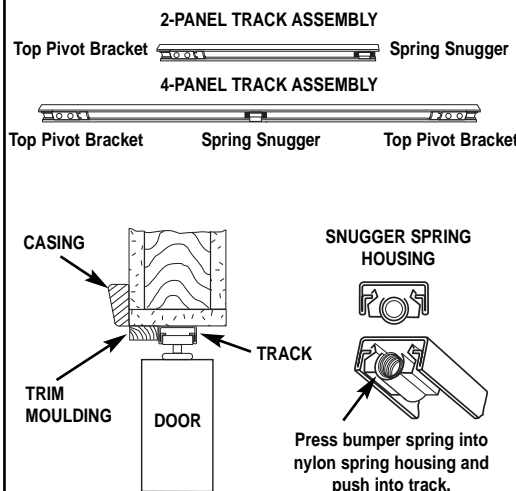
STEP 2

Install top pivot(s), guide roller(s) and bottom pivot(s) by drilling 7/16" diameter holes, 2" deep, as shown. Install hinges on edge of panels, centering third hinge.



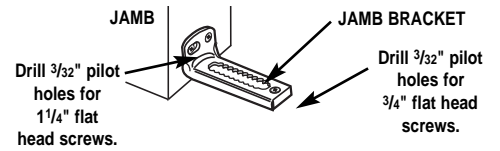
STEP 3

Mount track using 1" flat head screws so face of door is flush with or slightly recessed from opening face. If needed, cut track to 1/8" less than finished opening.



STEP 4

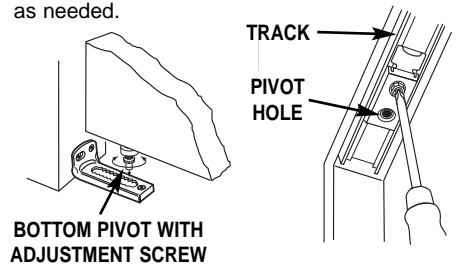
Install jamb bracket so center line of bracket is aligned with center line of track. Bracket must rest firmly on the floor, or on wood block if additional clearance is required for carpeting.



STEP 5

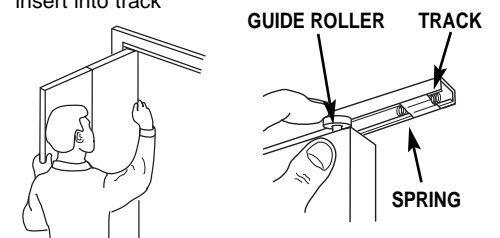
VERTICAL ADJUSTMENT- Lift door and adjust bottom pivot until top clearance with track is minimal. Adjust pivot hole to provide proper clearance on jamb.

HORIZONTAL ADJUSTMENT- To move top pivot, remove panel(s), loosen screw and adjust as needed.



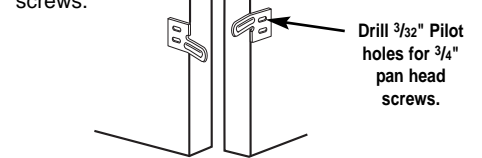
STEP 6

Guide top pivot into top pivot bracket hole of track assembly. Lift door and place bottom pivot into jamb bracket. Depress guide roller and insert into track.



STEP 7

4-PANEL ONLY- Install aligners on rear of door using pan head screws. Adjust in or out until doors are aligned with each other. Tighten screws.



STEP 8

Locate knobs approximately 36" from floor centered in leading door panel(s). Drill 7/64" hole(s) and attach knob(s).

