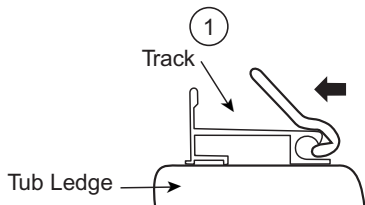
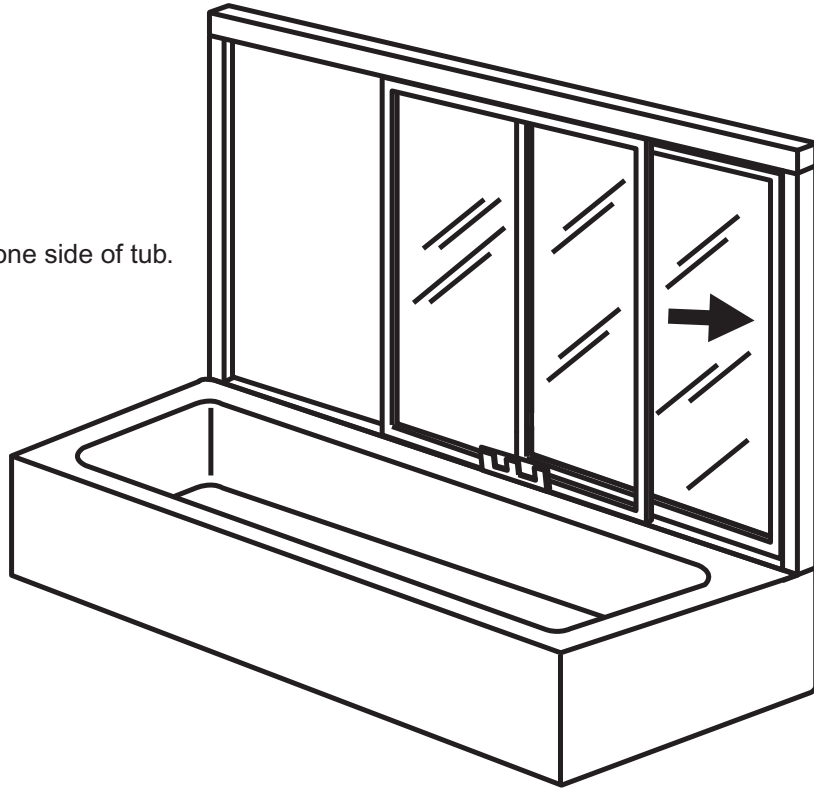
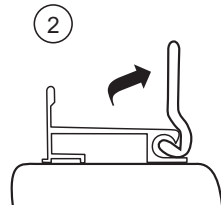


# M-6191 Shower Door Instructions

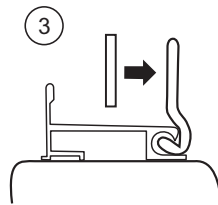
Slide doors open to one side of tub.



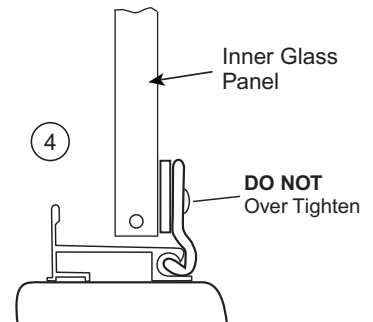
Tilt new guide into track base.



Align guide at 90° angle



Align existing spacer with guide.



Reinstall door and attach spacer and guide securely. **DO NOT OVER TIGHTEN!**

