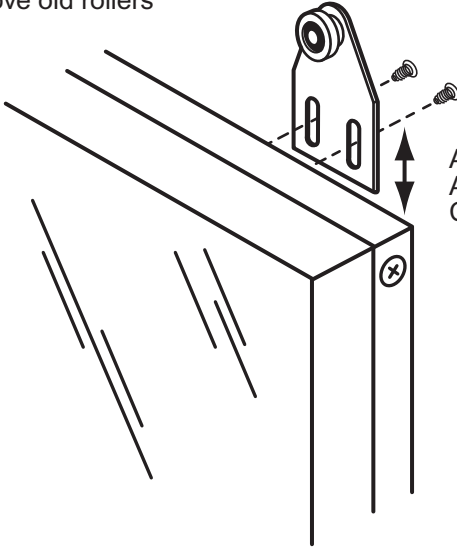


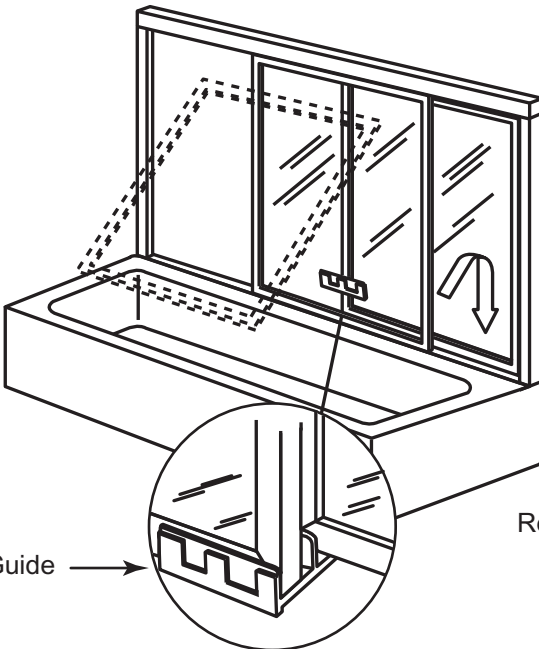
Shower Door Instructions

Remove door as described above

Remove old rollers



Attach new rollers.
Adjust height and tighten screws.
Careful not to hit glass.



Replace outer door first