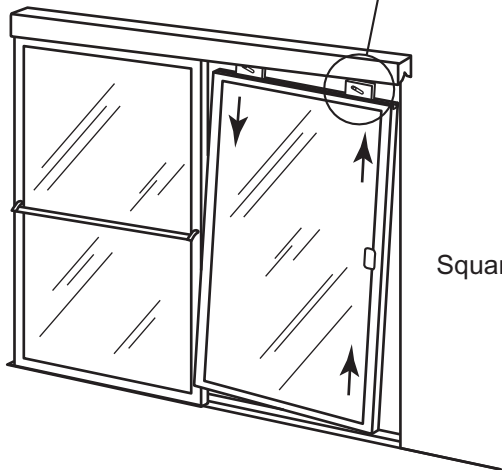
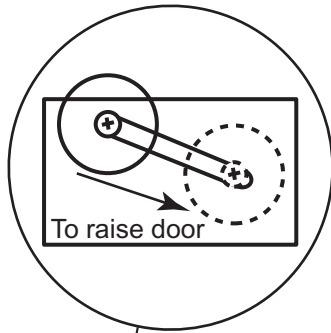
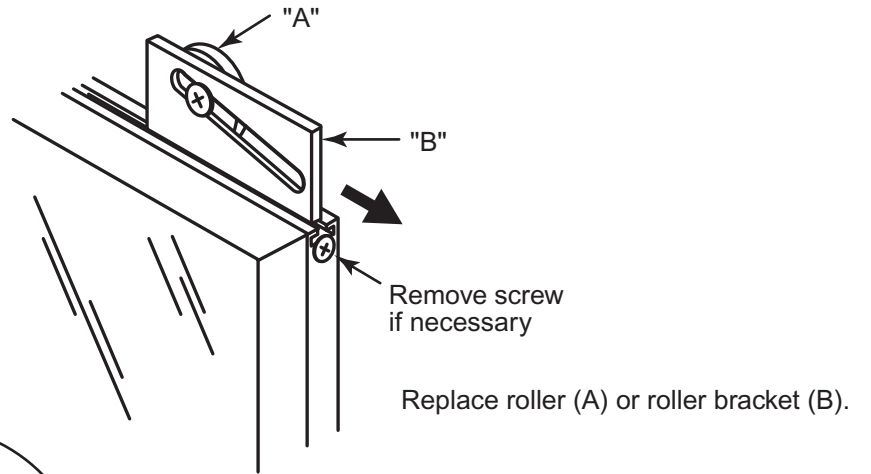
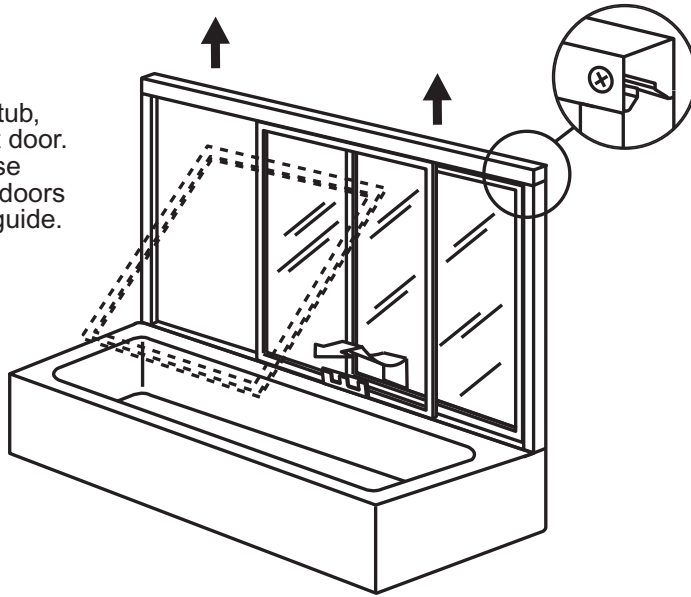


Shower Door Upper Roller Instructions

From inside the tub, lift up and tilt out door. If necessary, raise top track to free doors to clear bottom guide.



Square door to jamb by adjusting rollers.