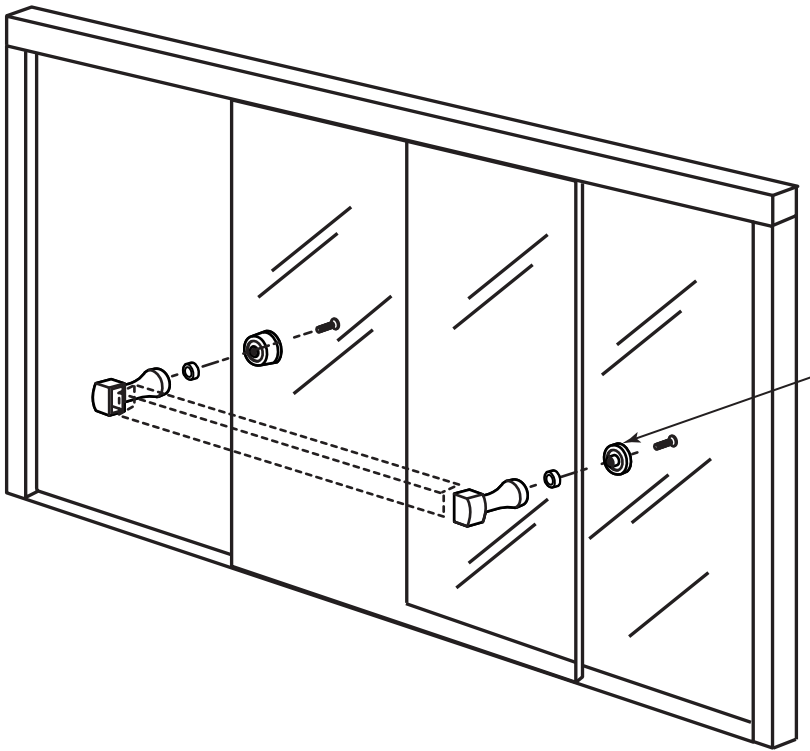


Shower Rail / Towel Bar Instructions



Attach screw through existing holes,
mounting shield to end cap